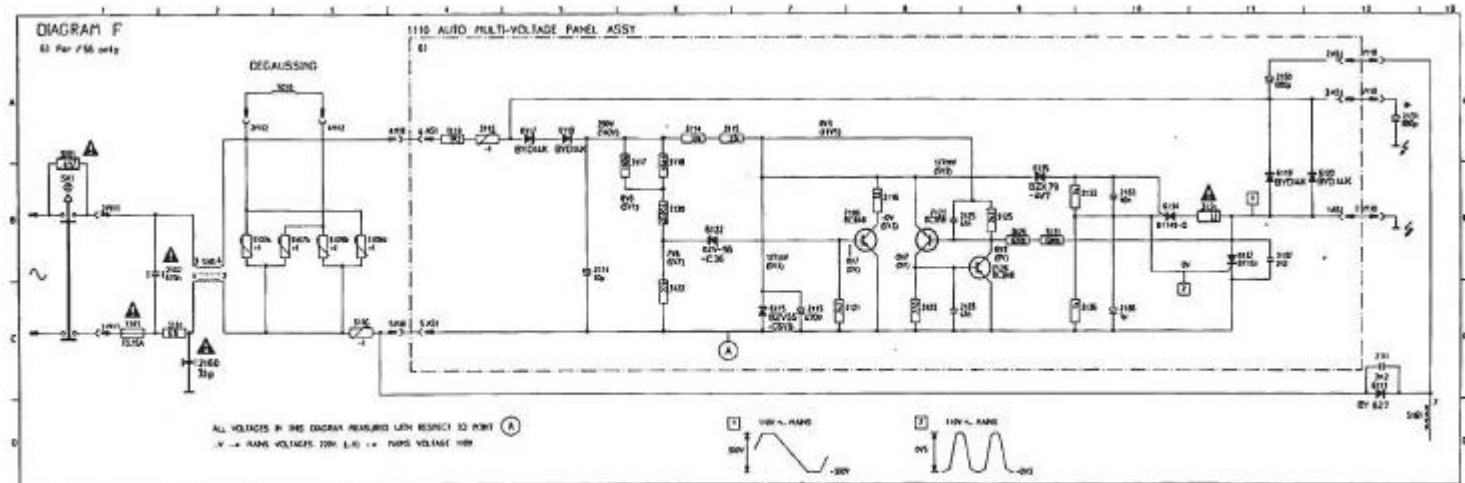


DIAGRAM F  
 61 For 756 only

1116 AUTO MULTI-VOLTAGE PANEL ASST



ALL VOLTAGES IN THE DIAGRAM MEASURED WITH RESPECT TO POINT (A)  
 V → RANGE VOLTAGE 200V L.C. ← RANGE VOLTAGE 100V



IF 6112 REPLACED BY 6131  
 OCCUPIES SAME LOCATION ON PCB BUT POLARITY IS TURNED UP